

## Suction cup B40 Silicone

Item number: B40.20



- Suitable for level adjustment. Several short bellows in one lifting device can handle objects with height differences and varying shapes, for example embossed or corrugated plates.
- The lifting movement can be used to separate small and thin objects.
- Only lightweight objects should be handled when the lifting force is parallel to the surface of the object, in order to achieve good precision and safe lifting movement.

### Technical data

| Description             | Unit            | Value                                           |
|-------------------------|-----------------|-------------------------------------------------|
| Suction cup shape       | -               | Bellows                                         |
| Application             | -               | Dry sheet metal, Plastic injection molded parts |
| Suction cup design      | -               | Round                                           |
| Characteristics         | -               | Dry sheet metal, Plastic injection molded parts |
| Material                | -               | Silicone (SIL)                                  |
| Weight, min.            | oz              | 0.35                                            |
| Suction cup model       | -               | B                                               |
| Volume                  | in <sup>3</sup> | 0.92                                            |
| Height                  | in              | 1.10                                            |
| Outer diameter, min.    | in              | 1.69                                            |
| Fitting size            | -               | None                                            |
| Fitting option          | -               | None                                            |
| Fitting style           | -               | None                                            |
| Fitting type            | -               | None                                            |
| Suction cup model       | -               | B40                                             |
| Movement, vertical max. | in              | 0.53                                            |
| Curve radius, min.      | in              | 0.79                                            |

### Performance - Lifting forces

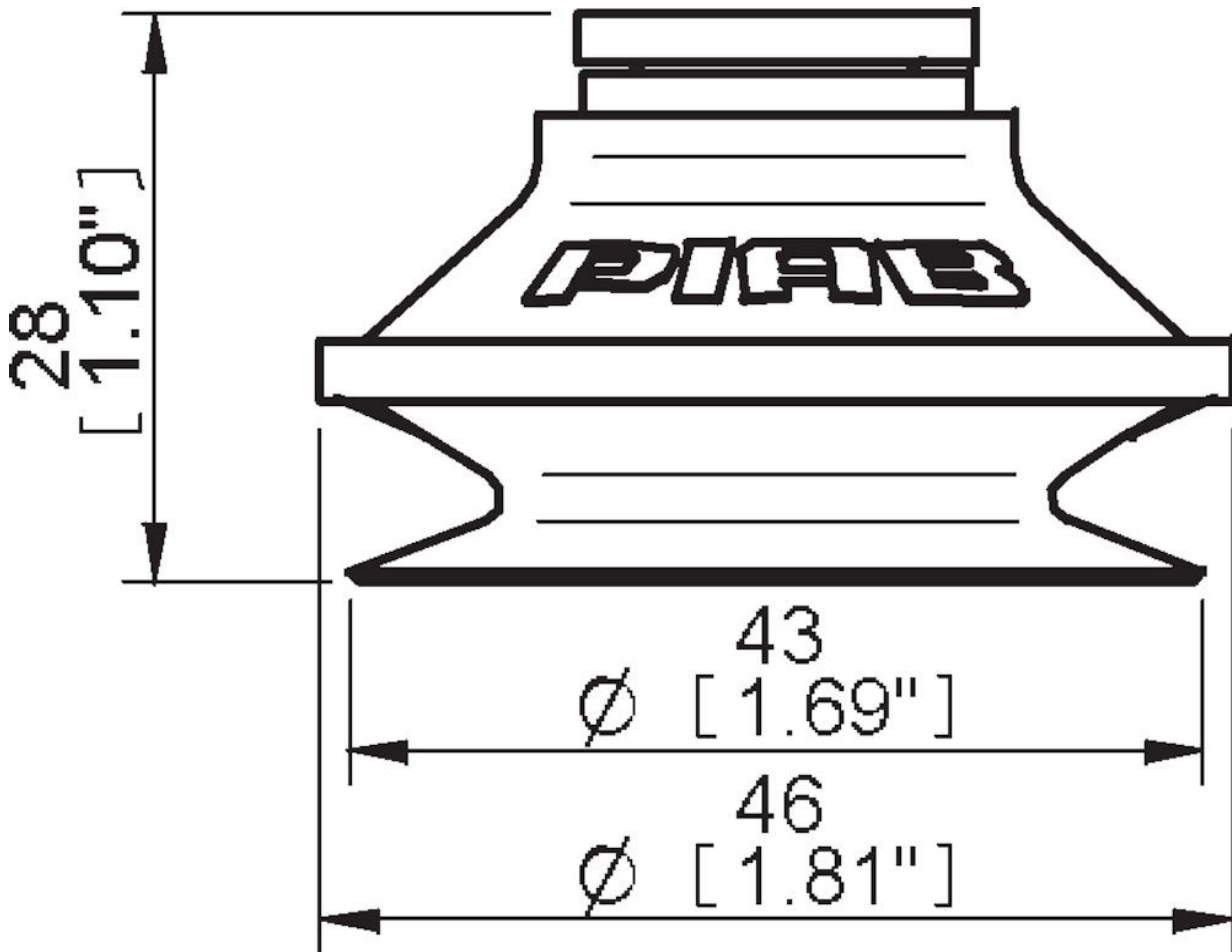
| B40         | Vertical (N) | Parallel (N) |
|-------------|--------------|--------------|
| 5.91 -inHg  | 4.95         | 3.84         |
| 17.72 -inHg | 8.77         | 5.91         |
| 26.58 -inHg | 11.016       | 6.86         |

| Material               |                           |
|------------------------|---------------------------|
| Name                   | Silicone, SIL 50° Shore A |
| Color                  | Red                       |
| Temperature, min.   °F | -40.0                     |
| Temperature max.   °F  | 392.0                     |
| Hardness   °Shore A    | 50                        |

### Material resistance

|                    |           |
|--------------------|-----------|
| Alcohol            | Good      |
| Concentrated acids | Poor      |
| Ethanol            | n/a       |
| Hydrolysis         | Fair      |
| Methanol           | n/a       |
| Oil                | Poor      |
| Oxidation          | Excellent |
| Gasoline           | Poor      |
| Wear resistance    | Good      |
| Weather and ozone  | Excellent |

### Dimensional drawings



Values specified in this data sheet are tested at (unless otherwise stated):

- Room temperature (20°C [68°F] ± 3°C [5.5°F]).
- Standard atmosphere (101.3 [29.9 inHg] ± 1.0 kPa [0.3 inHg]).
- Relative humidity 20-70%.
- Compressed air quality, DIN ISO 8573-1 class 4.

## Accessories

- 04AF | Fitting 5x1/8" NPSF female, 30–40
- 04AG | Fitting 1/8" NPSF female, 30–40, with mesh filter
- 04AI | Fitting G1/8" male, 40, with mesh filter
- 04CA | Fitting 1/8" NPSF female, 30–40, PA
- 04AA | Fitting 1/8" NPSF female, 30–40
- 04AD | Fitting G3/8" male, 30–40, with mesh filter
- 04AE | Fitting 3/8" NPT male, with mesh filter
- 04AB | Fitting G1/4" male, 30–40, with mesh filter
- 04AC | Fitting 1/4" NPT male, with mesh filter
- 04DA | Fitting 1/8" NPSF female, 30–40, with dual flow control valve
- 04DB | Fitting G1/4" male, 30–40, with dual flow control valve
- 04DC | Fitting 1/4" NPT male, with dual flow control valve
- 04DD | Fitting G3/8" male, 30–40, with dual flow control valve
- 04DE | Fitting 3/8" NPT male, with dual flow control valve
- 04DF | Fitting 5x1/8" NPSF female, 30–40, with dual flow control valve