

Suction cup B5 Conductive silicone, M5 male

Article number: 3250082SC



- Lifting movement to separate small and thin objects.
- Only lightweight objects should be handled when the lifting force is parallel to the surface.
- Suitable for level adjustment.
- Suction cups of conductive silicone and semi-conductive EPDM are suitable for objects with sensitivity to static electricity.

Technical data

Description	Unit	Value
Suction cup shape	-	Bellows
Application	-	Dry sheet metal, Electronic / semiconductor, Plastic injection molded parts
Suction cup design	-	Round
Characteristics	-	Dry sheet metal, ESD/Conductive/Antistatic, Plastic injection molded parts
Material	-	Silicone (SIL)
Weight, min.	g	0.11
Suction cup model	-	B
Volume	cm ³	0.05
Height	mm	16.7
Outer diameter, min.	mm	5.7
Outer diameter, actuated	mm	6.4
Fitting size	-	M5
Fitting option	-	None
Fitting style	-	Male
Fitting type	-	M-thread
Suction cup model	-	B5
Movement, vertical max.	mm	1.5
Curve radius, min.	mm	1.5

Performance - Lifting forces

B5	Vertical (N)	Parallel (N)
20 -kPa	0.3	
60 -kPa	0.8	
90 -kPa	1	

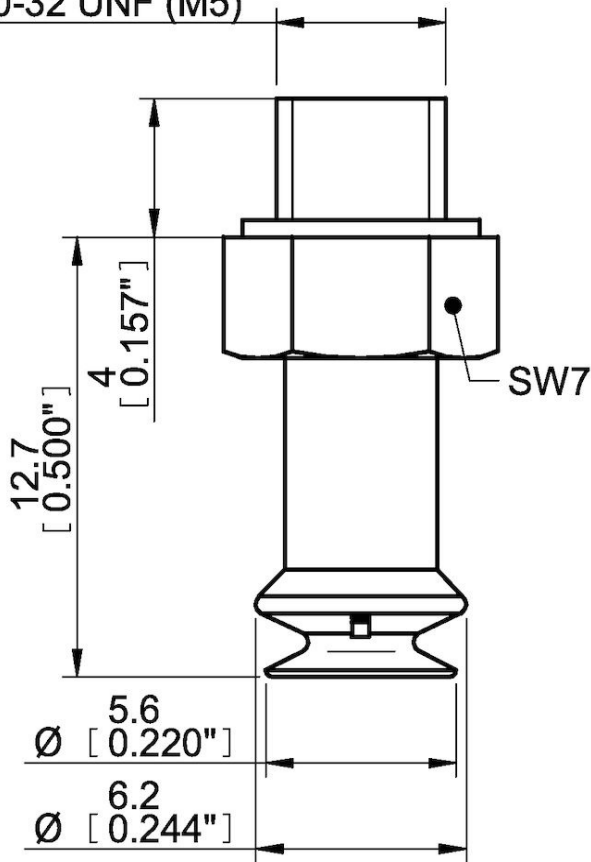
Material	
Name	Conductive Silicone (CSIL)
Colour	Black
Temperature, min. °C	-55
Temperature max. °C	230
Hardness °Shore A	50

Material resistance

Alcohol	Good
Concentrated acids	Poor
Ethanol	n/a
Hydrolysis	Fair
Methanol	n/a
Oil	Poor
Oxidation	Excellent
Petrol	Poor
Wear resistance	Good
Weather and ozone	Excellent

Dimensional drawings

#10-32 UNF (M5)



Values specified in this data sheet are tested at (unless otherwise stated):

- Room temperature (20°C [68°F] ± 3°C [5.5°F]).
- Standard atmosphere (101.3 [29.9 inHg] ± 1.0 kPa [0.3 inHg]).
- Relative humidity 20-70%.
- Compressed air quality, DIN ISO 8573-1 class 4.

Accessories

0129949 | Suction cup B5 Semi-conductive EPDM

0200893 | Suction cup B5 HNBR

3150286 | Suction cup B5 Chloroprene

3150286S | Suction cup B5 Silicone

Spare parts

3150286SC | Suction cup B5 Conductive silicone